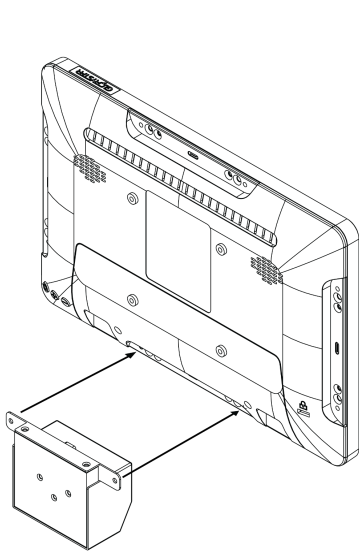


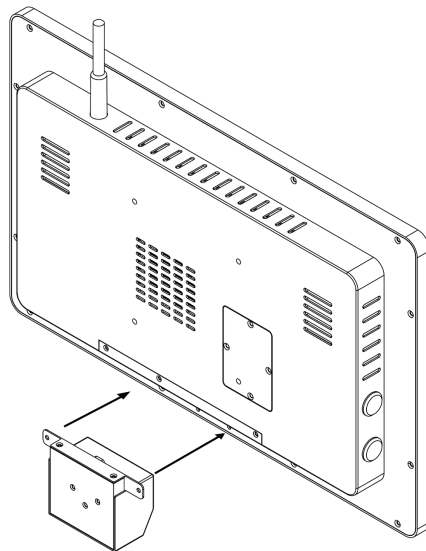


Barcode Scanner Quick Start Guide
(Newland 1D Barcode)

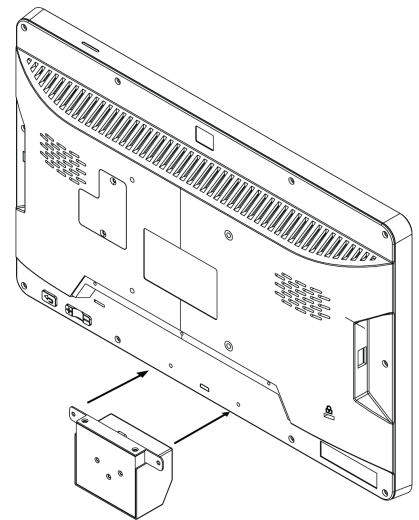
How to connect barcode scanner to device



Nebula Plus

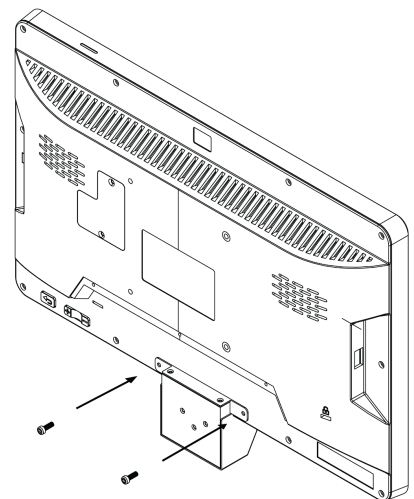
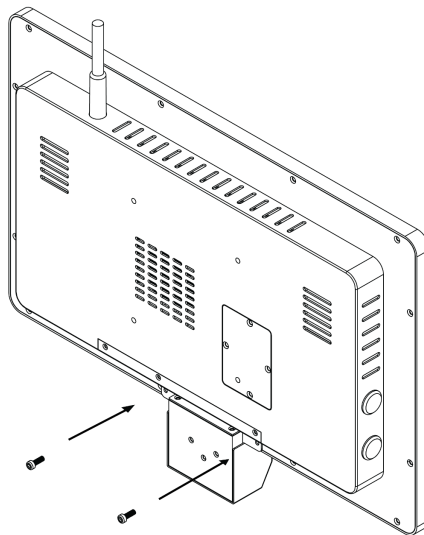
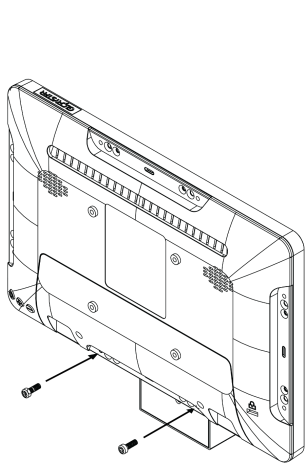


Ultron



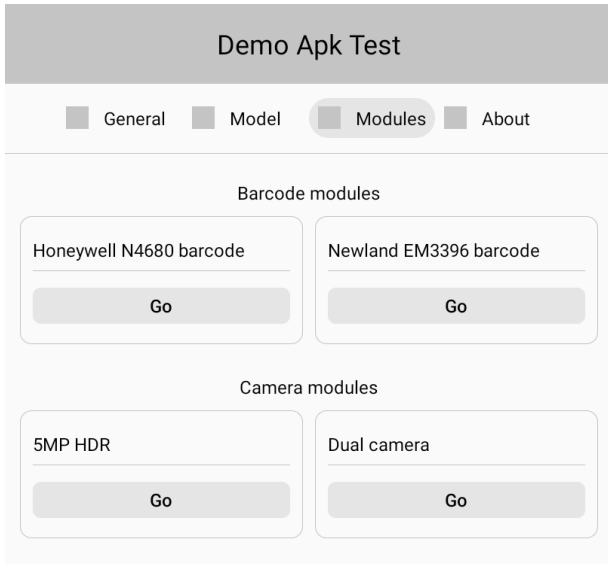
Nebula

Step 1 - Plug in the barcode module on to the device(s).



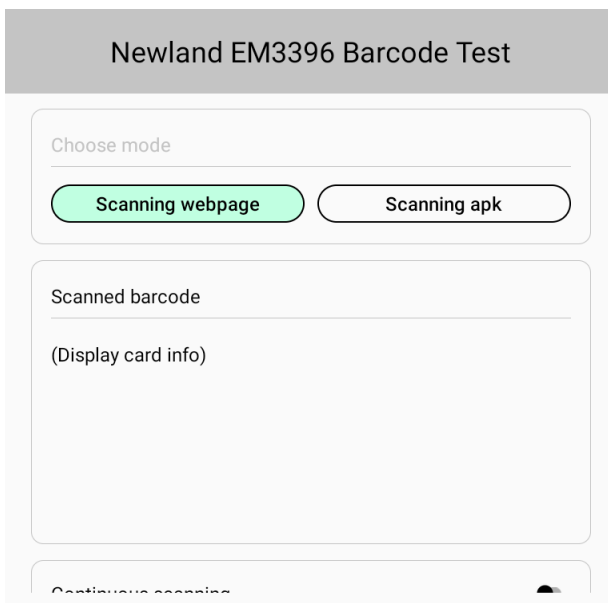
Step 2- Screw in two screws to fix the barcode module on to the device(s).

How to test/configure barcode scanners on to Android devices (Nebula Plus & Nebula Series)



For Android devices (Nebula plus and Nebula series), please open Glory Star Demo APK preinstalled on devices when delivered to set-up the barcode module after connecting the module to the device.

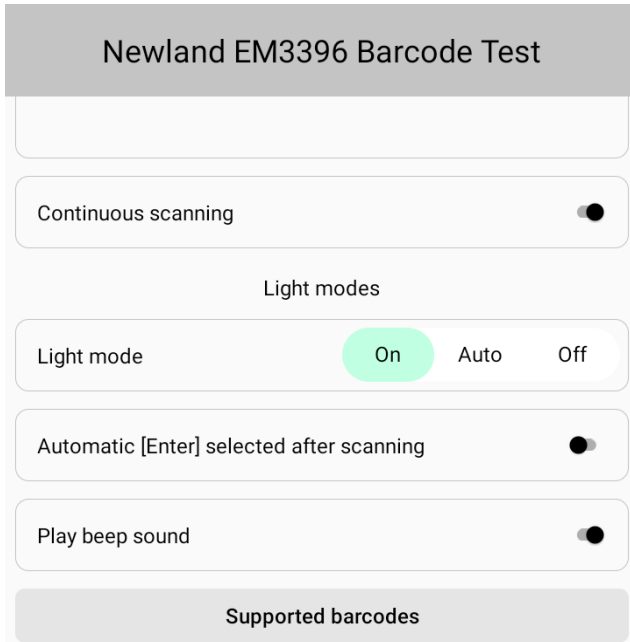
Select “Modules” and then select “Go” under Newland EM3396 barcode model.



Select “Scanning web page” for keyboard mode and “Scanning APK” for apk mode.

Scanning Web Page - display info that barcode scanner has scanned in text form.

Scanning APK - allows barcode scanner to scan information on the barcode and then customized action for next step. (require to use demo apk source code for customization.)



Continuous scanning - allows barcode scanner to scan continuously

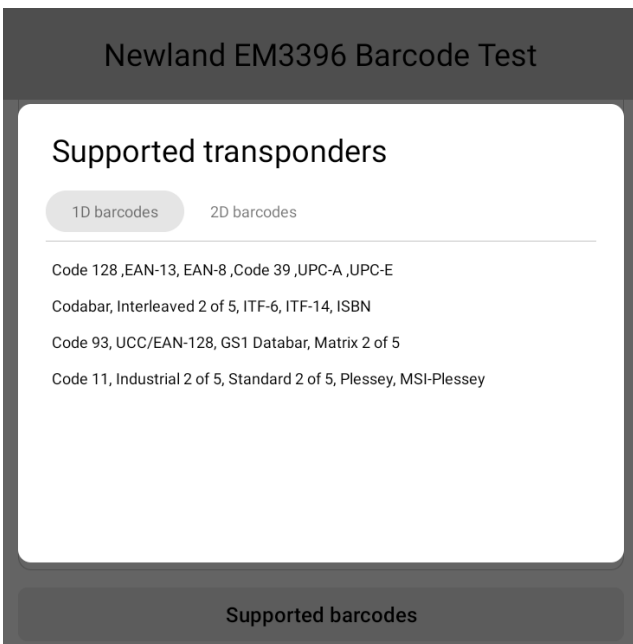
Light modes On - The barcode scanner light is always on.

Light modes Auto -The barcode scanner light will turn on when it detects a barcode to scan.

Light modes Off - The barcode scanner light is always off.

Automatic[Enter] selected after scanning allows the device to process “enter” after scanning a barcode. When selected, it would imitate the “ enter” button on the keyboard after scanning.

Play beep sound - there would be a “beep” sound after scanning a barcode.



Supported barcodes - - the supported 1D and 2D barcodes standards are shown in this page.

How to set up barcode in Windows device(ULTRON)

For windows devices, the barcode scanner module setup process can be carried out by scanning specific barcodes.



Setup Start Barcode

Every time a new set up includes **three elements.**

1. Scan setup start barcode
2. Scan command barcode
3. Scan setup end barcode



Setup End Barcode

For example, if you want a beep sound after scanning. The set up process is below:

- Step 1.** Scan "Setup start barcode".
- Step 2.** Once scanned, a beep noise will occur to ensure commands have been acknowledged.
- Step 3.** Scan "Setup End Barcode".

Continuous scanning mode

allows barcode scanners to continuously scan.

Please scan from top to bottom



Scan setup start barcode.



Scan continuous scanning mode barcode.



Scan setup end barcode.

Single scanning mode

allows barcode scanners to scan the barcode only one time without repeat scanning.

Please scan from top to bottom



Scan setup start barcode.



Scan single scanning mode barcode.



Scan setup end barcode.

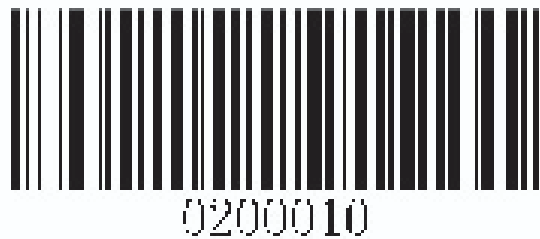
LED light On mode

The barcode scanner light will always be on.

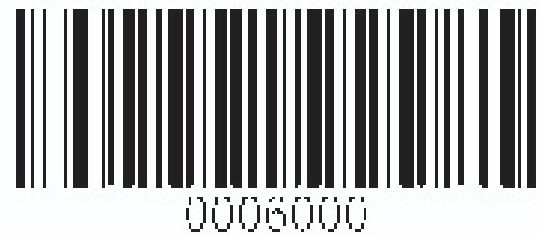
Please scan from top to bottom



Scan setup start barcode.



Scan LED light On mode barcode.



Scan setup end barcode.

LED light Auto mode

The barcode scanner light is on only when it detects a barcode to scan.

Please scan from up to down



Scan setup start barcode.



Scan LED light Auto mode barcode.



Scan setup end barcode.

Light modes Off

The barcode scanner light is always off.

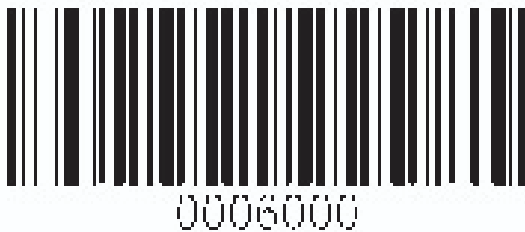
Please scan from top to bottom



Scan setup start barcode.



Scan LED light Off mode barcode.



Scan setup end barcode.

Beep sound On mode

a “beep” sound after scanning a barcode.

Please scan from top to bottom



Scan setup start barcode.



Scan “beep sound on mode” barcode.



Scan setup end barcode.

Beep sound Off mode

no sound after scanning.

Please scan from top to bottom



Scan setup start barcode.



Scan "beep sound off mode" barcode.



Scan setup end barcode.

CONTACT US

United States	Hong Kong	ShenZhen
1440 N. Harbor Blvd Suite 900 Fullerton, CA 92835, USA	Flat D, 5/F, Excelsior Building, 364 Nathan Road, Kowloon, Hong Kong	Bldg 9, 4/F Zhong Yuntai Technology Industrial Park, Tangtou No.1 Road, Shiyuan Street, Baoan, ShenZhen, PRC
626 228 5927	852 23762803	86 755 2600 1808
sales@glorystargroup.com	sales@glorystargroup.com	sales@glorystargroup.com

To find out more about our extensive range of Glor Star solutions, go to www.glorystargroup.com, or call the office nearest you. For more information, please contact us at sales@glorystargroup.com. Glory Star reserves the right to change or update, without notice, any information contained herein; to change, without notice, the design, construction, materials, processing or specifications of any products; and to discontinue or limit production or distribution of any products. Glory Star, the Glory Star logo, STAR CONTROL and STAROS are either trademarks or registered trademarks of Glory Star Group Limited. All other trademarks are the property of their respective owners