



1D Barcode Scanner Newland
NEBA1701
NEBA1701 PART#N001
NEBA1701 PART#N002

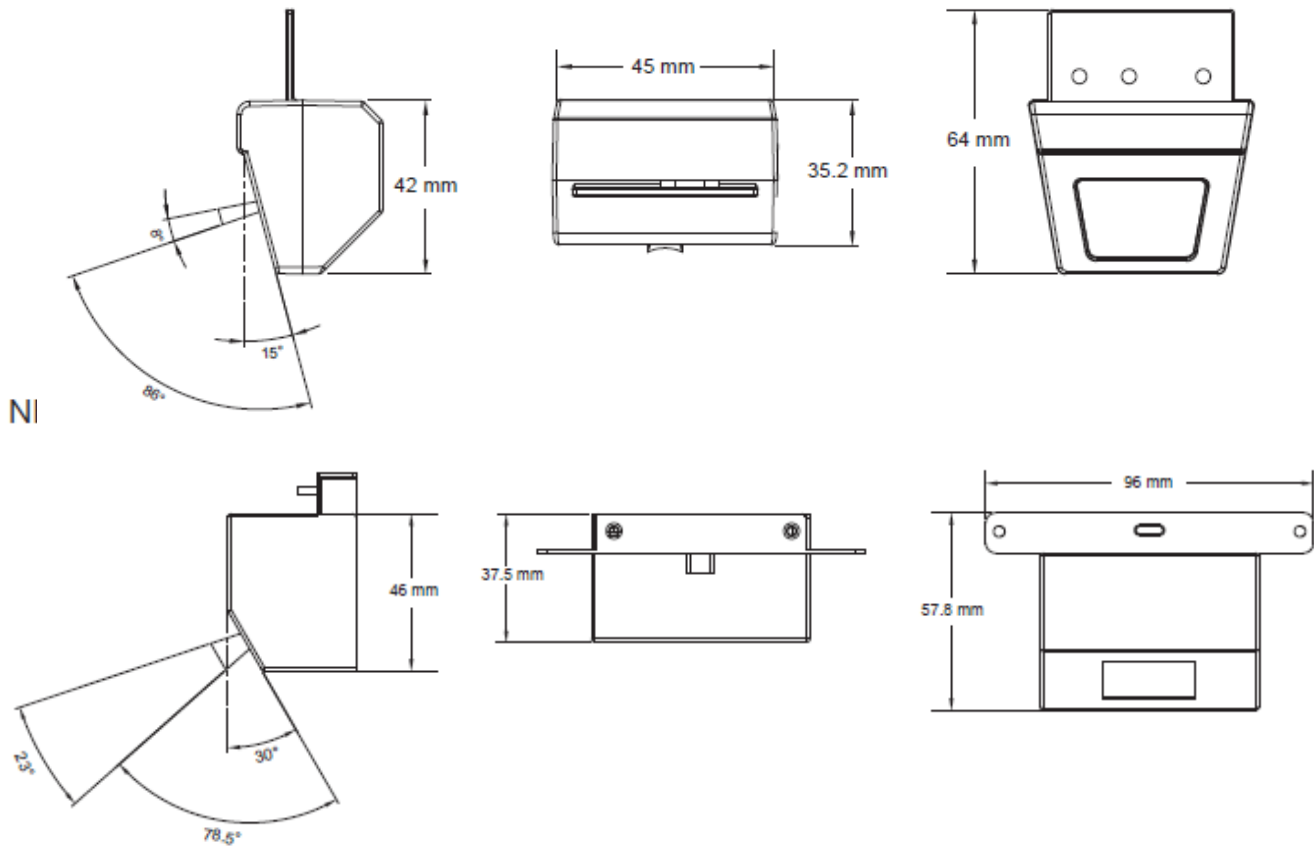
The Newland Barcode is a 1D engine that provides flexibility to any kind of applications such as data collection and price checkers. Mostly used to open a browser upon scan or to open a page in an app. Glory Star provides a demo APK to support your software integration to our tablets, please go to our support page to download the demo APK. The barcode is easily installed by users, providing an integrated solution and eliminating the need for external brackets or attachments.

Newland 1D Barcode Scanner Specifications

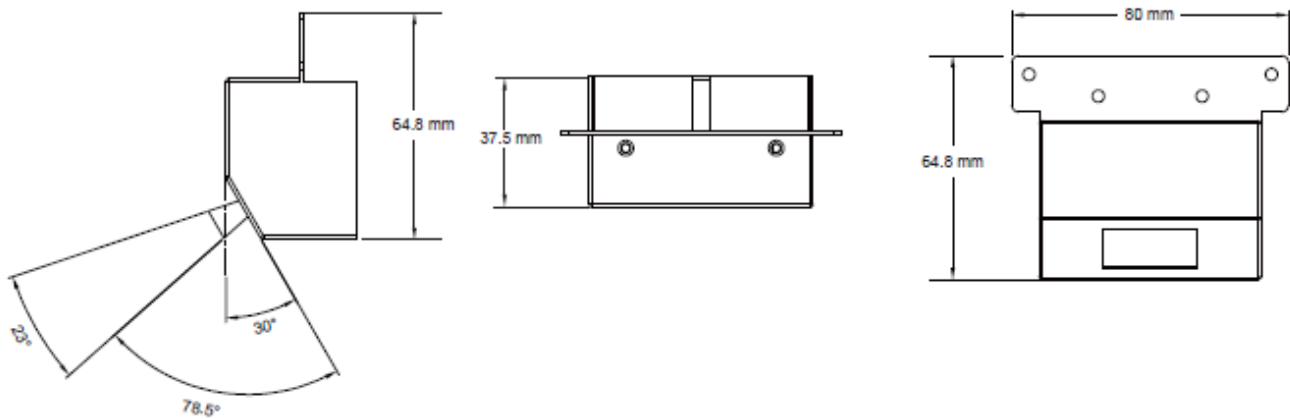
Brand	Newland
Enclosure color	Black
Sensor model	NLS-EM1365-LD
Support OS	Android 9.0
Reader Type	1D barcode reader
Sensor	Linear Imager
Resolution	1500
Illumination & Aiming	LED (610nm ~ 640nm)
Ideal Scan Distance	Code 39 (5mil): 65mm~175mm EAN-13 (13mil): 55mm~605mm
Supported Symbolologies	EAN-13, EAN-8, UPC-A, UPC-E,ISSN, ISBN, Codabar, Code 128, Code 93, ITF-6, ITF-14,Interleaved 2 of 5, Industrial 2 of 5, Standard 2 of 5, Matrix 2 of 5,GS1 Databar, Code 39, Code 11, MSI-Plessey, Plessey
Field of view	/
Beeper Output	Yes
Ambient Light	0~100000 lux
Operating Voltage	60mA
Standby Voltage	25mA
Operating Temperature	-20°C ~ + 55°C
Humidity	5% - 95% (non-considering)
Product Weight	140g
Dimensions	96 x 64 x 37.5mm
Gift Box Weight	170g
Gift Box Dimensions	140 x 83 x 44mm
What's in the Box	1D barcode reader, 2 Screws

2D Diagram

NEBA1701



NEBA1701 PART#N002



Representative Office

Flat D, 5/F, Excelsior Building,
364 Nathan Road,

Bldg 9, 4/F Zhong Yuntai Technology
Industrial Park, Tangtou No.1 Road,

1440 N. Harbor Blvd Suite 900
Fullerton, CA 92835

Kowloon, Hong Kong

Shiyan Street, Baoan,
ShenZhen, PRC

626 228 5927

852 23762803

86 755 2600 1808

sales@glorystargroup.com

sales@glorystargroup.com

sales@glorystargroup.com

To find out more about our extensive range of Glory Star solutions, go to www.glorystargroup.com, or call the office nearest you. For more information, please contact us at sales@glorystargroup.com. Glory Star reserves the right to change or update, without notice, any information contained herein; to change, without notice, the design, construction, materials, processing or specifications of any products; and to discontinue or limit production or distribution of any products. Glory Star, the Glory Star logo, STAR CONTROL and STAROS are either trademarks or registered trademarks of Glory Star Group Limited. All other trademarks are the property of their respective owners.