



2D Barcode Scanner - HoneyWell  
NEBA1702  
NEBA1702 PART#H001  
NEBA1702 PART#H002

The Honeywell Barcode is a 1D and 2D engine that provides flexibility to any kind of applications such as data collection and price checkers. Mostly used to open a browser upon scan or to open a page in an app. Glory Star provides a Demo APK to support your software integration to our tablets, please go to our support page to download the demo APK. The barcode is easily installed by users, providing an integrated solution and eliminating the need for external brackets or attachments.

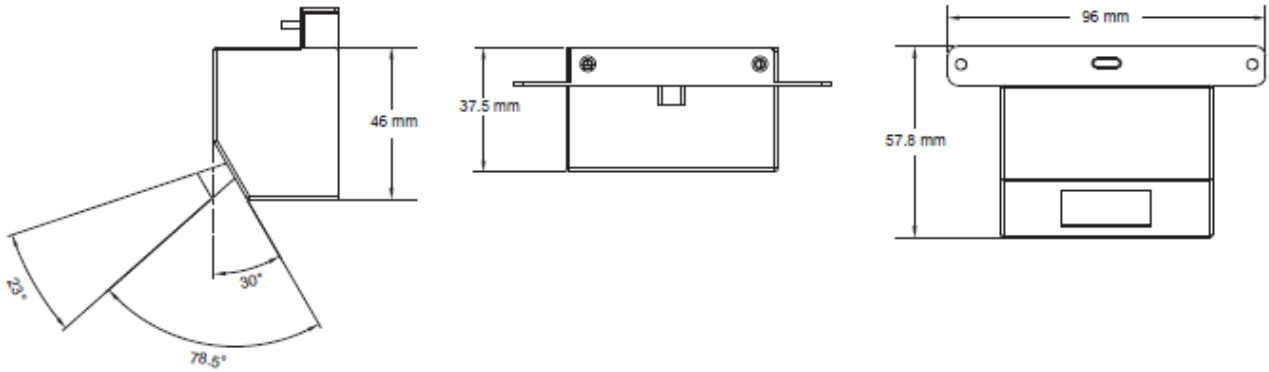
## NEBA1702 - 2D Barcode Scanner Specification

Brand	Honeywell
Support OS	Android 9.0
Barcode engine	N4680
Reader Type	2D barcode reader
Sensor	Global shutter
Resolution	640 x 480
Ideal Scan Distance	EAN-13 (13mil): 60mm~290mm PDF417 (6.67mil): 55mm~135mm Code 39 (5mil): 55mm~165mm Data Matrix (10mil): 55mm~130mm QR Code (15mil): 45mm~175mm
Supported Symbolologies	2D:Codablock A, Codablock F, PDF417, MicroPDF417, Aztec Code, Data Matrix, MaxiCode, QR Code, Chinese Sensible (Han Xin), Grid Matrix, Dot Code  1D: Codabar, Code 11, Code 128, Code 2 of 5, Code 39, Code 93 and 93i, EAN/JAN-13, EAN/JAN 8, IATA Code 2 of 5, Interleaved 2 of 5, Matrix 2 of 5, MSI, GS1 Databar, UPC-A, UPC E, UPC-A/EAN-13 with Extended Coupon Code, Coupon GS1 Code 32(PARAF), EAN-UCC Emulation, GS1 Data Bar  Postal: Australian Post, British Post, Canadian Post, China Post, Japanese Post, Korea Post, Netherlands Post, Planet Code, Postnet
Field of view	Vertical 30°, Horizontal 40°
Ambient Light	0~100000 lux (natural light)
Voltage	3.3V
Operating Temperature	-20°C ~ + 55°C
Humidity	5% - 95% (non-considering)
Product Weight	140g
Product Dimensions	96 x 64 x 37.5mm
What's in the Box	1D/2D barcode reader, 2 Screws

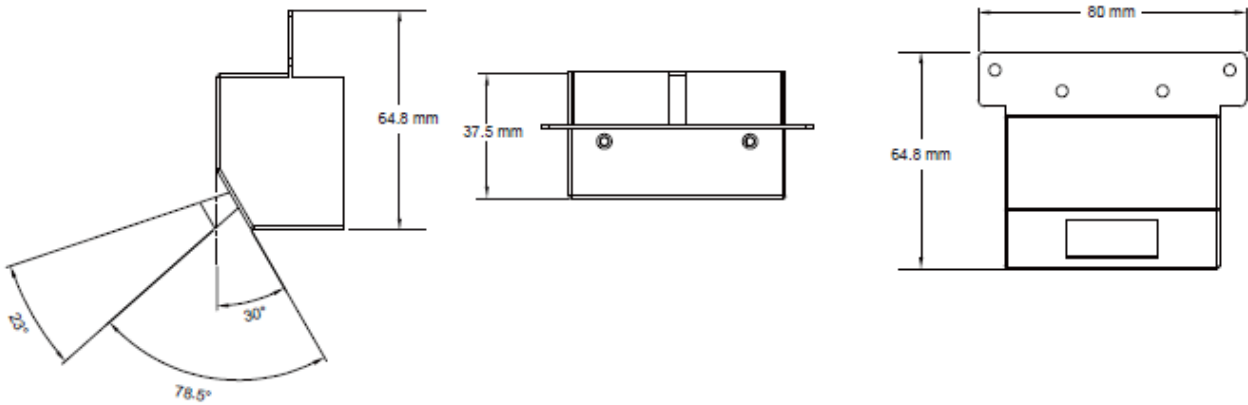
Gift Box Weight	170g
Gift Box Dimensions	140 x 83 x 44mm

## 2D Diagram

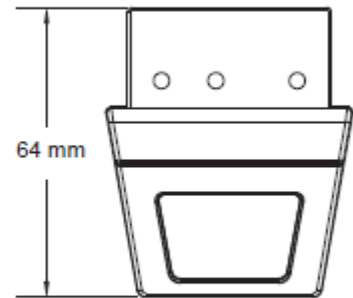
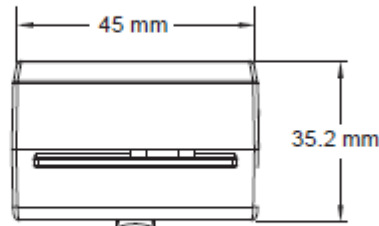
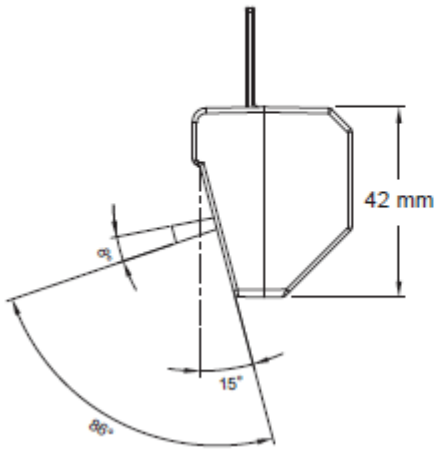
NEBA1702 PART#H001



NEBA1702 PART#H002



## NEBA1702



## CONTACT US

United States	Hong Kong	ShenZhen
<b>Representative Office</b> 1440 N. Harbor Blvd Suite 900 Fullerton, CA 92835	<b>Flat D, 5/F, Excelsior Building,</b> 364 Nathan Road, Kowloon, Hong Kong	<b>Bldg 9, 4/F Zhong Yuntai Technology</b> <b>Industrial Park, Tangtou No.1 Road,</b> <b>Shiyan Street, Baoan,</b> <b>ShenZhen, PRC</b>
626 228 5927	852 23762803	86 755 2600 1808
<a href="mailto:sales@glorystargroup.com">sales@glorystargroup.com</a>	<a href="mailto:sales@glorystargroup.com">sales@glorystargroup.com</a>	<a href="mailto:sales@glorystargroup.com">sales@glorystargroup.com</a>

To find out more about our extensive range of Glory Star solutions, go to [www.glorystargroup.com](http://www.glorystargroup.com), or call the office nearest you. For more information, please contact us at [sales@glorystargroup.com](mailto:sales@glorystargroup.com). Glory Star reserves the right to change or update, without notice, any information contained herein; to change, without notice, the design, construction, materials, processing or specifications of any products; and to discontinue or limit production or distribution of any products. Glory Star, the Glory Star logo, STAR CONTROL and STAROS are either trademarks or registered trademarks of Glory Star Group Limited. All other trademarks are the property of their respective owners.